

## AD21 Acoustic Leak Detector



The HIKMICRO Acoustic Leak Detector AD21 is a high-performance device designed for technicians and plumbers to find leaks in plumbing, water service, and residential or commercial properties. The device has four ranges of selectable digital bandpass filters, and the amplification is up to 80 dB. The filtration and amplification of the sound frequencies can help you locate the leakage points accurately. It can be widely used with the handheld sensor and pick-up sensor correspondingly. Furthermore, it can detect ignored leaks, reducing resource waste and property loss.

### Key Feature

- Supports four ranges of selectable digital bandpass filters
- Frequency Range 150 Hz to 7500 Hz
- 1024 × 600 Resolution, 7"LCD Touch Screen
- Up to 11 hours continuous running

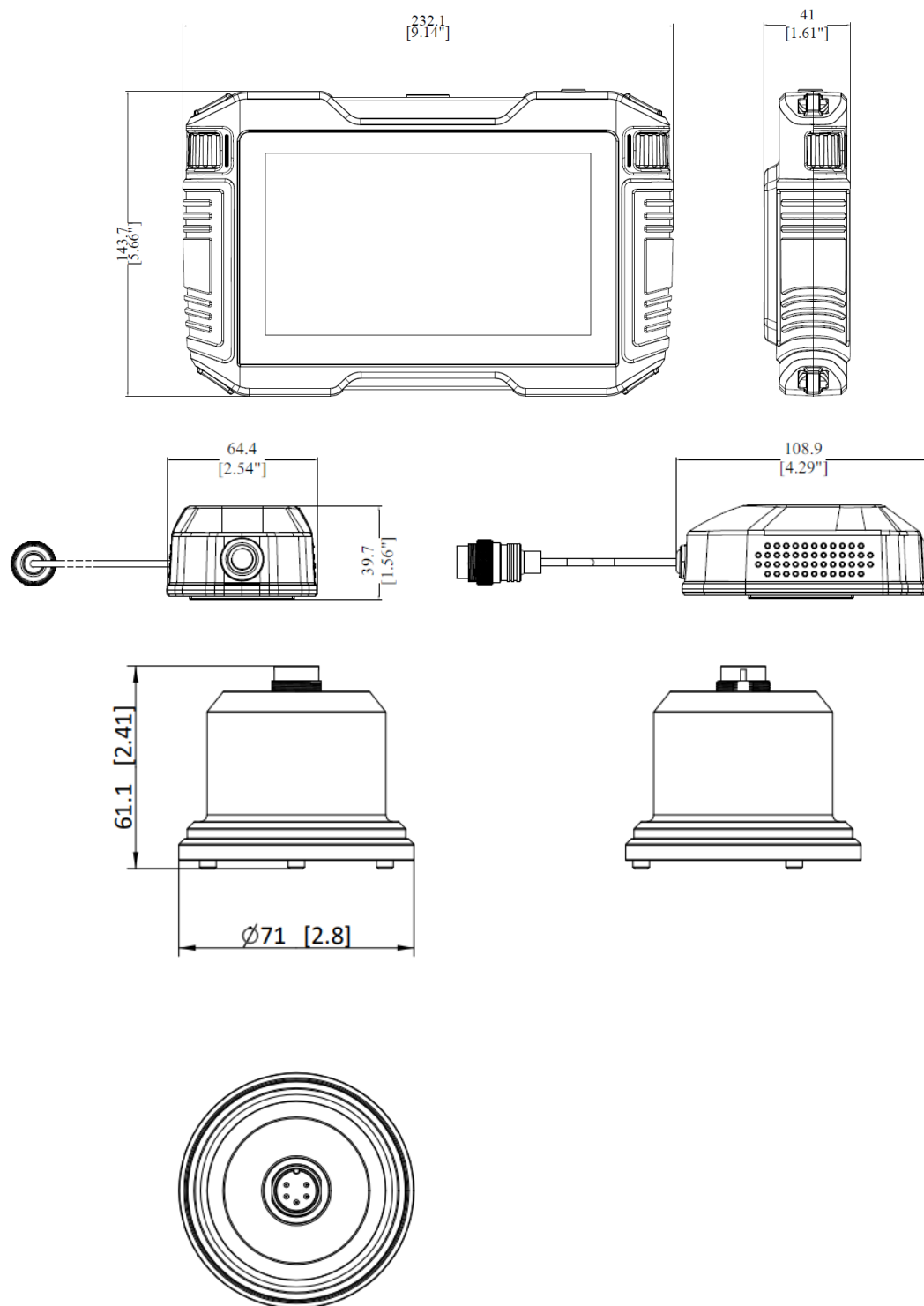
## ▪ Specification

| <b>Acoustic</b>                       |  |
|---------------------------------------|--|
| Frequency Range                       | 150~7500 Hz  |
| Signal Noise Ratio                    | 60 dB  |
| Sensitivity                           | -29dB, 70 mv/g   |
| Sensor                                | hand held sensor, Pick-up sensor   |
| Band Pass Filters                     | Indoor low frequency 150Hz to 3000Hz<br>Indoor mid-frequency 3000Hz to 6000Hz<br>Indoor high frequency 4500Hz to 7500Hz<br>Indoor all-pass 150Hz to 7500Hz |
| Amplification                         | 80 dB  |
| <b>Image Display</b>                  |  |
| Display                               | 1024 × 600 Resolution, 7"LCD Touch Screen  |
| Screen Brightness                     | Manual/Auto  |
| <b>Data Storage and Communication</b> |  |
| Storage Media                         | Built-in EMMC (4GB)  |
| Audio Storage Capacity                | Approx. 20 hours   |
| Audio File Format                     | .wav   |
| <b>General</b>                        |  |
| USB Interface                         | USB 2.0, USB Type-C  |
| EMC                                   | EN55032:2015+A11:2020<br>EN50130-4:2011+A1:2014<br>EN61000-3-3:2013  |
| Working Temperature Range             | -10 °C to 50 °C (14 °F to 122 °F)  |
| Drop Test Height                      | 1.2 m(3.93 ft)   |
| Weight                                | Main Unit: 821g(1.81 lb)<br>Hand held sensor:239g(0.53 lb)<br>Pick-up sensor:490g(1.08 lb)<br>Headset:214g(0.47 lb)<br>Standard package:3000g(6.61 lb)     |
| Storage Temperature Range             | -40°C to 70°C (-34°F to 142°F)   |
| Relative Humidity                     | < 90 % non-condensing  |
| Battery Type                          | Rechargeable Li-ion Battery  |
| Battery Operating Time                | ≥11h   |
| Battery Charging Time                 | 3h to 90%, 6h to full charge   |
| Protection Level                      | Main Unit: IP40;<br>Hand held sensor:IP54;<br>Pick-up sensor: IP66;  |

## ▪ Available Model




HM-AP21-AD21

## Dimension



Unit: mm [inch]



 HIKMICRO Thermography  hikmicro\_thermography  HIKMICRO Thermography  HIKMICRO  info@hikmicrotech.com  <http://hikmicrotech.com/en>

© 2023 Hangzhou HIKMICRO Sensing Technology Co., Ltd. All Rights Reserved.  
Data subject to change without notice!